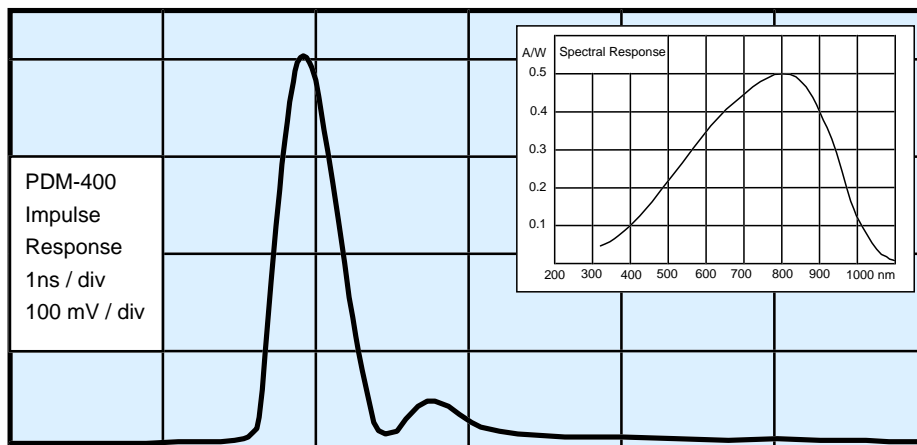


PDM-400

High Speed Photodiode Module

- 200 ps pulse rise time
- 400 ps FWHM
- Detector Area 0.25 mm²
- Single +5V or +12V supply



The PDM-400 is used for the detection of light signals and for trigger applications. It contains a Si pin Photodiode with an active area of 0.25 mm² - a reasonable compromise between speed and sensitivity. Due to its single +5V or +12V supply the device can be powered directly from the Sampling / Boxcar Module PCS-150, from the Single Photon Counting Module SPC-300 or from a conventional 5V or 12V power supply.

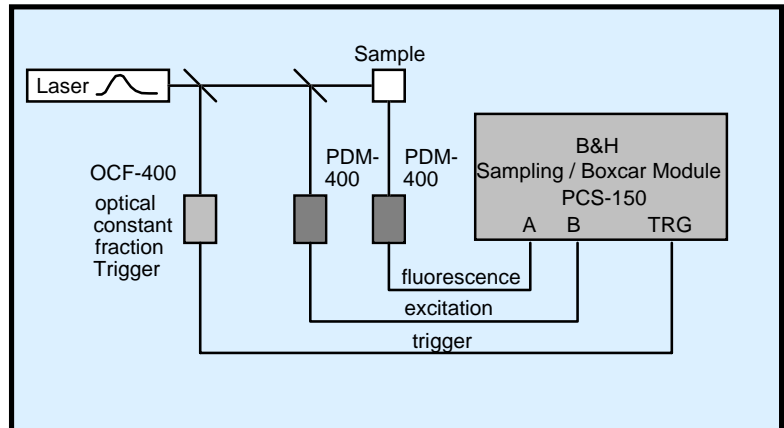
Also available: Detector areas 3.6 mm² and 11.9 mm², UV versions, modules with current indicator, high sensitivity integrating photodiode modules, avalanche photodiode modules. Please call for individual data sheets.

Becker & Hickl GmbH
Nahmitzer Damm 30
12277 Berlin
Tel. +49 / 30 / 787 56 32
Fax. +49 / 30 / 787 57 34
<http://www.becker-hickl.de>
email: info@becker-hickl.de

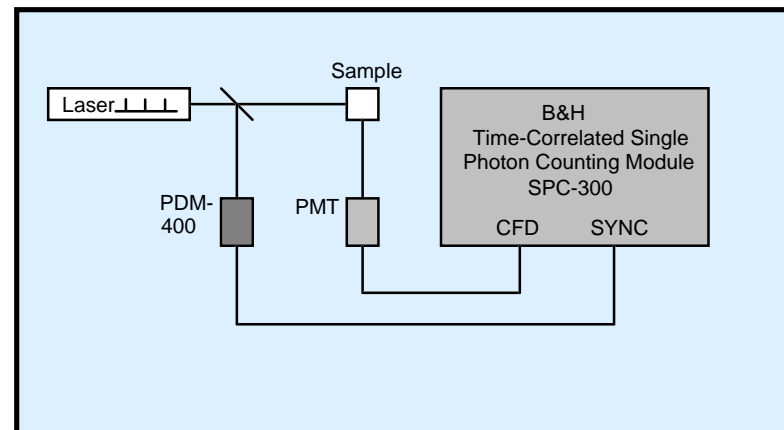

intelligent
measurement
and
control systems

Applications:

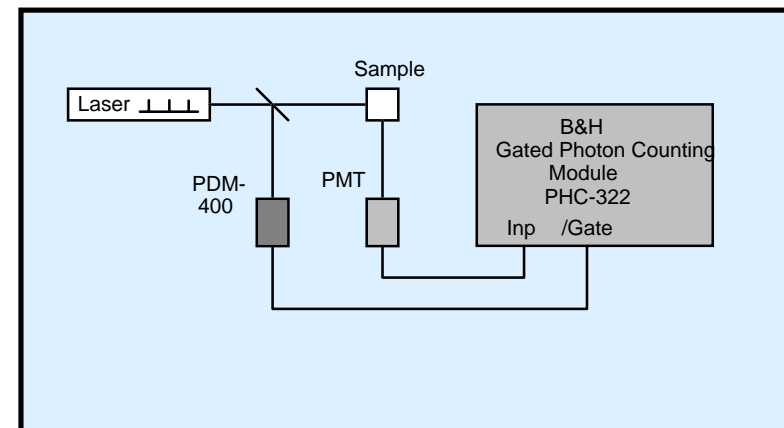
Laser induced Fluorescence
Excitation with N₂ Laser,
Recording of Fluorescence
and Excitation Signal by
Sampling / Boxcar Technique



Triggering of Time-Correlated
Single Photon Counting
Experiments



Steady State Fluorescence:
Gating off Detector
Background Signal

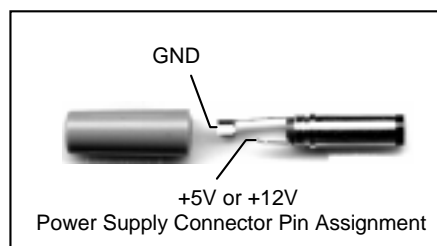


Maximum Ratings

Supply Voltage (5 V Version)
Supply Voltage (12 V Version)
Light Pulse Power
Average Light Power
Operating Temperature

-0.3 V ... + 6.5 V
-0.3 V ... + 15 V
< 100 kW (Duration < 2 ns)
< 200 mW
0°C ... +70°C

Becker & Hickl GmbH
Nahmitzer Damm 30
12277 Berlin
Tel. +49 / 30 / 787 56 32
Fax. +49 / 30 / 787 57 34
<http://www.becker-hickl.de>
email: info@becker-hickl.de



bh
intelligent
measurement
and
control systems