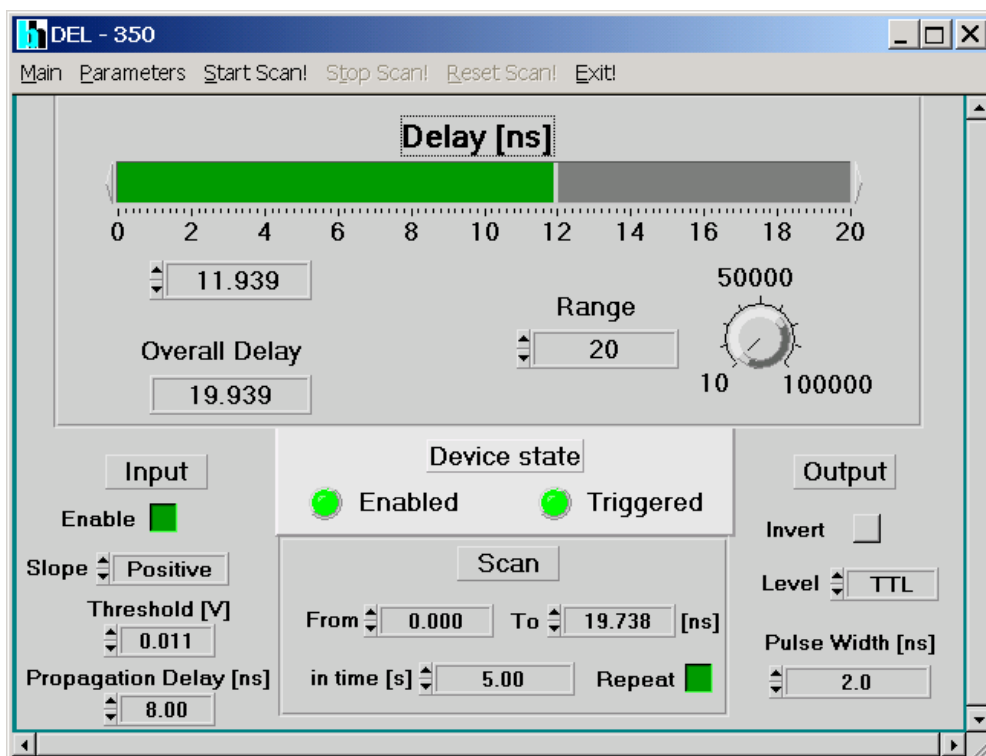


DEL-350

ps Delay Generator

- Delay Resolution down to 2.5 ps
- Low Jitter: 10 ps or 0.05 % of Delay Range
- Delay Range 20 ns to 200 us
- Input Trigger Threshold -2V to + 2V
- Output TTL, ECL or NIM
- Output Pulse Duration 2 ns to 200 ns
- PCI Bus Module for Pentium PC



Becker & Hickl GmbH
Nahmitzer Damm 30
12277 Berlin, Berlin
Tel. +49 / 30 / 787 56 32
Fax. +49 / 30 / 787 57 34
email: info@becker-hickl.com
www.becker-hickl.com



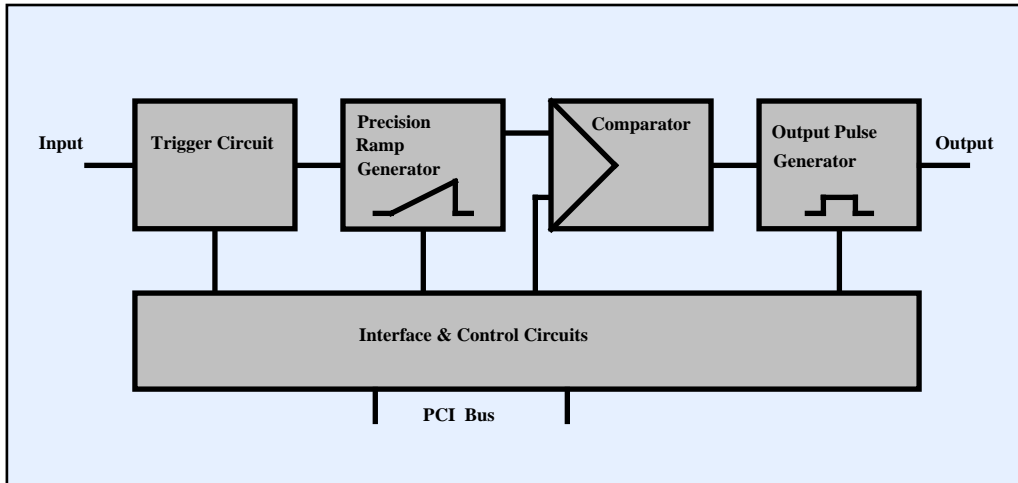
US Representative:
Boston Electronics Corp
tcspc@boselec.com
www.boselec.com



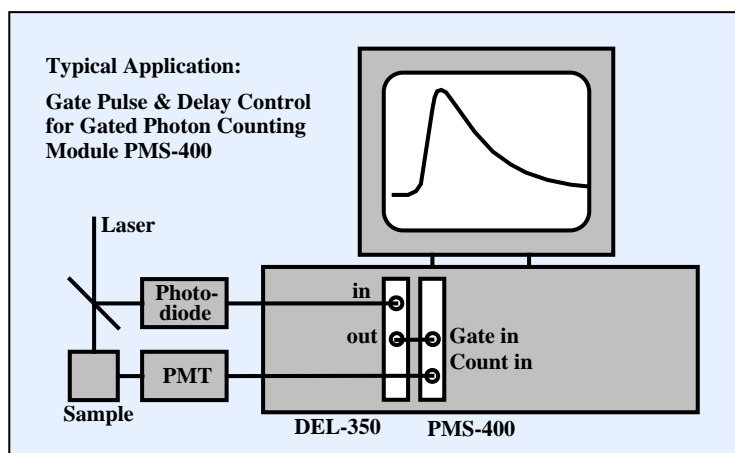
UK Representative:
Photonic Solutions PLC
sales@psplc.com
www.psplc.com



DEL-350



Trigger Input Impedance	50 Ω (MCX Connector)
Trigger Threshold	-2 V to + 2 V
Input Pulse Amplitude	50 mV to 4 V
Delay Range	10 ns to 10 μ s, continuously selectable
Delay Resolution	12 bit
Minimum Delay	13 ns + 0.04 DelayRange
Jitter (rms)	0.05 % of delay range, min. 10 ps
Output Pulse Width	2 ns to 200 ns
Output Signals	Two differential ECL Signals One TTL or NIM Output
Output Impedance	50 Ω (MCX Connectors)
Operation Environment	Pentium PC
PC Bus Interface	PCI
Dimensions	PCI board 170 x 98 mm



Becker & Hickl GmbH
 Nahmitzer Damm 30
 12277 Berlin, Berlin
 Tel. +49 / 30 / 787 56 32
 Fax. +49 / 30 / 787 57 34
 email: info@becker-hickl.com
 www.becker-hickl.com