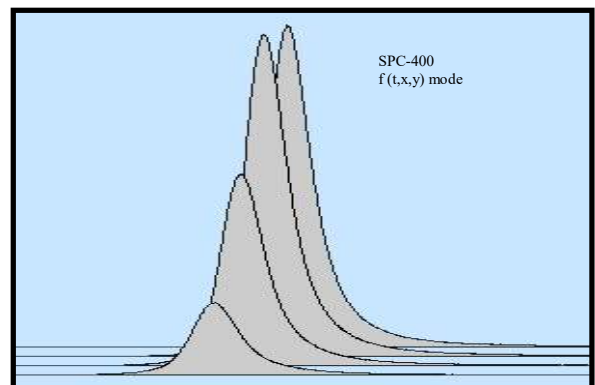
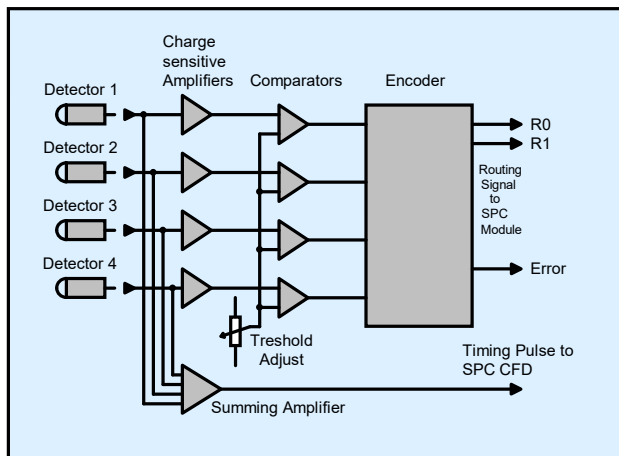


# HRT - 41

## 4 Channel TCSPC Router for PMTs

- Connects up to four separate detectors to one bh time-correlated single photon counting module
- Simultaneous measurement in all detector channels
- Applicable with most PMTs and MCPs
- Time Resolution 30 ps with R3809U MCP
- Count Rate > 1 MHz

The HRT-41 module is used to connect up to four individual detectors to one bh SPC time-correlated single photon counting module. The photons from the individual detectors are routed into different curves in the SPC memory. Thus the measurement yields a separate decay function for each of the detectors. Typical applications are fluorescence depolarisation measurements or simultaneous decay measurements at different wavelengths.



Covered by patent DE 43 39 787

Becker & Hickl GmbH  
Nunsdorfer Ring 7-9  
12277 Berlin  
Tel. 030 / 212 80 02 - 0  
Fax. 030 / 212 80 02 - 13  
email [info@becker-hickl.com](mailto:info@becker-hickl.com)  
<http://www.becker-hickl.com>

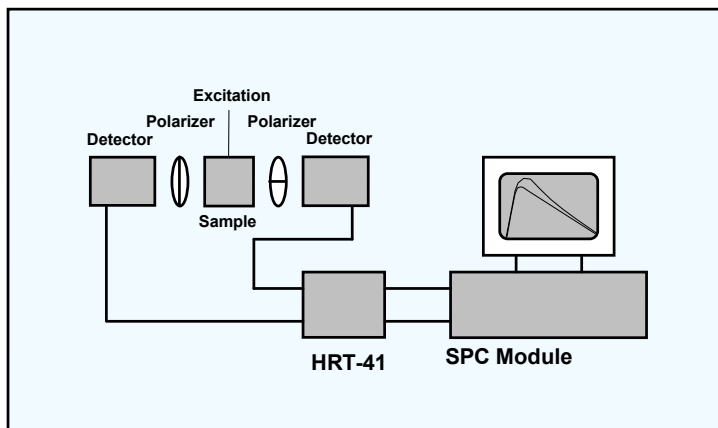


# HRT - 41

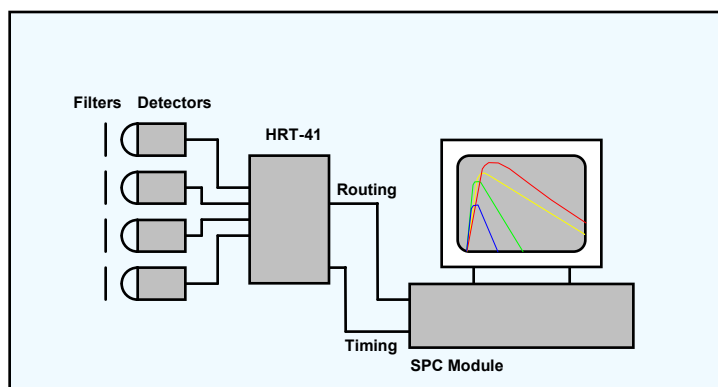
## Specification

Input Polarity	negative
Input Connectors	50 Ohm, SMA
Input Pulse Charge for best Routing	0.2 ... 2 pAs
Timing Output Polarity	negative
Input Threshold	adjustable
Delay Difference between Channels	60 ps per Channel
Timing Output Connector	50 Ohm, SMA
Gain of Timing Pulse Output	6
Routing-Signal	TTL 2 bit + Error Signal
Recommended SPC 'Latch Delay'	20-50 ns
Routing Signal Connector	15 pin Sub-D/HD
Power Supply	+5V, -5V, +12V via Sub-D Connector from SPC Module
Dimensions	93mm × 81mm × 32mm

## Applications



Fluorescence Anisotropy  
Measurement



Multi Wavelength Decay  
Measurement