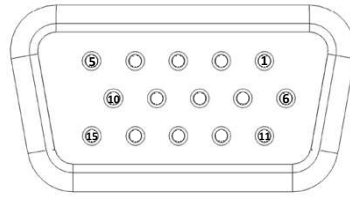


DCU-400

– Detector Control Unit



DCU-400-USB

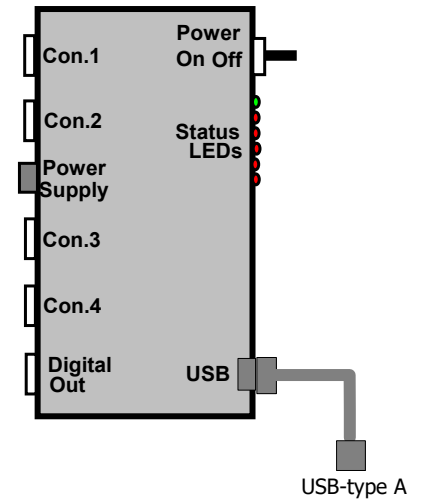
Connector 1

Connector 2

Connector 3

Connector 4

Digital Out



Connector 1

...

Connector 4

Digital Output

(Sub-D 15 Pin):

- 1: +5 V Out Switchable
- 2: Peltier +
- 3: Peltier +
- 4: Peltier +
- 5: Ground
- 6: -5 V Out Switchable
- 7: Peltier -
- 8: Peltier -
- 9: Peltier -
- 10: +12 V Out Switchable ⁽¹⁾
- 11: -12 V Out
- 12: 0...+10 V HV/Gain Control Signal ⁽¹⁾
- 13: 0...+0.9 V HV/Gain Control Signal ⁽¹⁾
- 14: /OVLD 1 Input
- 15: Ground

⁽¹⁾ /OVLD 1 shuts the Output Down

(Sub-D 15 Pin):

- 1: +5 V Out Switchable
- 2: Peltier +
- 3: Peltier +
- 4: Peltier +
- 5: Ground
- 6: -5 V Out Switchable
- 7: Peltier -
- 8: Peltier -
- 9: Peltier -
- 10: +12 V Out Switchable ⁽⁴⁾
- 11: -12 V Out
- 12: 0...+10 V HV/Gain Control Signal ⁽⁴⁾
- 13: 0...+0.9 V HV/Gain Control Signal ⁽⁴⁾
- 14: /OVLD 4 Input
- 15: Ground

⁽⁴⁾ /OVLD 4 shuts the Output Down

(Sub-D 15 Pin):

- 1: +5 V Out
- 2: Bit 0 Open Drain Out ⁽⁵⁾
- 3: Bit 1 Open Drain Out ⁽⁵⁾
- 4: Bit 2 Open Drain Out ⁽⁵⁾
- 5: Ground
- 6: -5 V Out
- 7: Bit 3 Open Drain Out ⁽⁵⁾
- 8: Bit 4 Open Drain Out ⁽⁵⁾
- 9: Bit 5 Open Drain Out ⁽⁵⁾
- 10: +12 V Out
- 11: -12 V Out
- 12: Bit 6 Open Drain Out ⁽⁵⁾
- 13: Bit 7 Open Drain Out ⁽⁵⁾
- 14: - do not connect -
- 15: Ground

⁽⁵⁾ /OVLD 1-4 shuts the Output to High-Impedance (On Request)