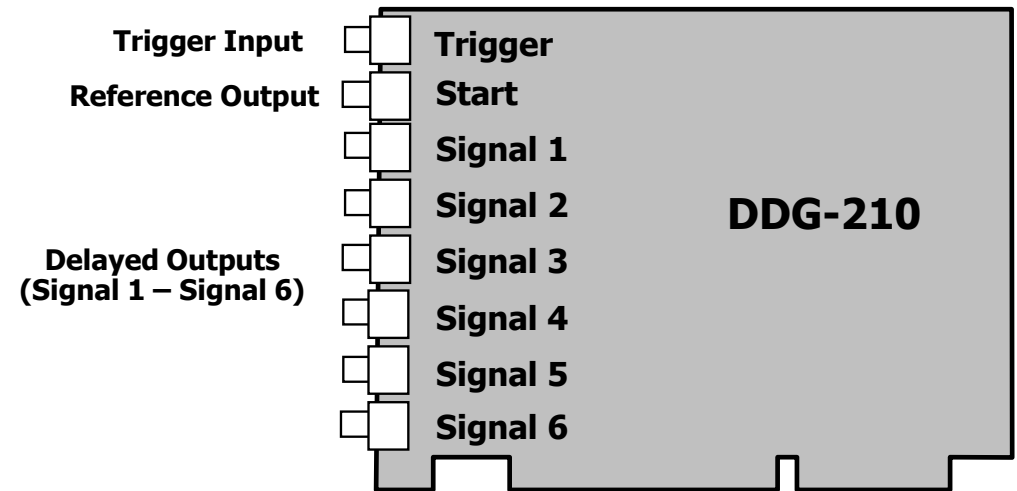


## DDG-210 - Digital Delay Generator



### Trigger Input (Trigger)

#### MCX Connector:

- Trigger Threshold:  
tuneable, -1 V ... 1 V
- Trigger Edge:  
rising or falling edge
- Delay to Reference Output (Start):  
50 ns

### Reference Output (Start)

#### MCX Connector:

- Pulse Period/Cycle Time:  
Minimum: 30ns  
Maximum: 42.9 s  
Resolution: 10 ns
- Pulse Width <sup>(1)</sup>:  
Minimum: 50 ns  
Maximum: 42.9 s  
Resolution: 10 ns

### Delayed Outputs (Signal 1 – 6)

#### MCX Connector:

- Pulse Delay <sup>(1,2)</sup>:  
Minimum: 50 ns  
Maximum: 42.9 s  
Resolution: 1.25 ns
- Pulse Width <sup>(1)</sup>:  
Minimum: 10 ns  
Maximum: up to 2.5 ms <sup>(3)</sup>  
Resolution: 10 ns
- Pulses per Output:  
Minimum: 0  
Maximum: 64
- Pulse-to-Pulse Distance on same Output:  
Minimum: 30 ns

<sup>(1)</sup> Period/Width is Restricted by the Cycle Time.

<sup>(2)</sup> Refer to Reference Output (Start)

<sup>(3)</sup> Maximum Pulse Width is Delay Dependant.