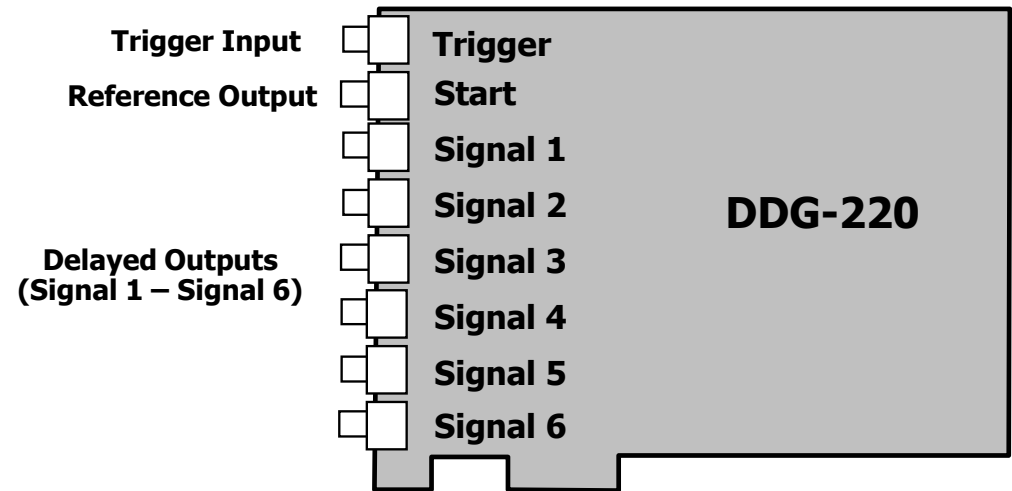


DDG-220

- Digital Delay Generator



Trigger Input (Trigger)

MCX Connector:

- Trigger Threshold:
tuneable, -1 V ... 1 V
- Trigger Edge:
rising or falling edge
- Delay to Reference Output (Start):
50 ns

Reference Output (Start)

MCX Connector:

- Pulse Period/Cycle Time:
Minimum: 30ns
Maximum: 42.9 s
Resolution: 10 ns
- Pulse Width ⁽¹⁾:
Minimum: 10 ns
Maximum: 42.9 s
Resolution: 10 ns
- Pulse Delay ⁽¹⁾:
Minimum: 30ns
Maximum: 81.9 μs
Resolution: 2.5 ns

Delayed Outputs (Signal 1 – 6)

MCX Connector:

- Pulse Delay ^(1,2):
Minimum: 0 ns
Maximum: 42.9 s
Resolution: 2.5 ns
- Pulse Width ⁽¹⁾:
Minimum: 10 ns
Maximum: up to 5.0 ms ⁽³⁾
Resolution: 10 ns
- Pulses per Output:
Minimum: 0
Maximum: 64
- Pulse-to-Pulse Distance on same Output:
Minimum: 30 ns

⁽¹⁾ Period/Width is Restricted by the Cycle Time.

⁽²⁾ Refer to Reference Output (Start)

⁽³⁾ Maximum Pulse Width is Delay Dependant.